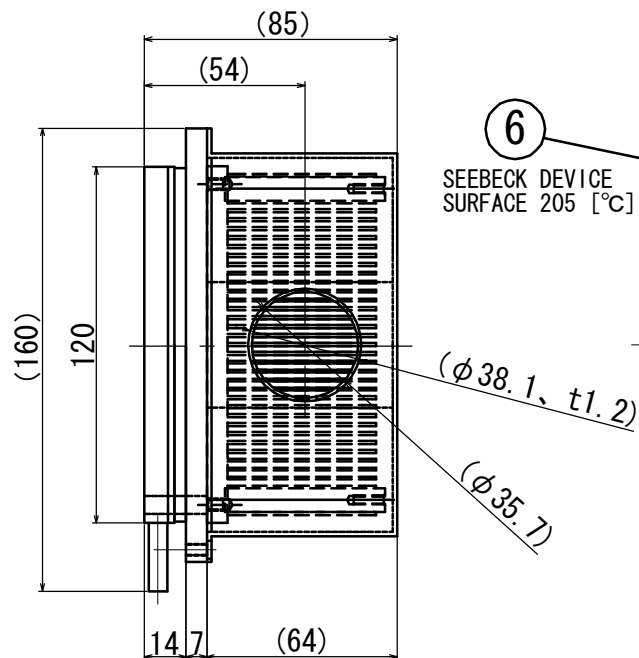
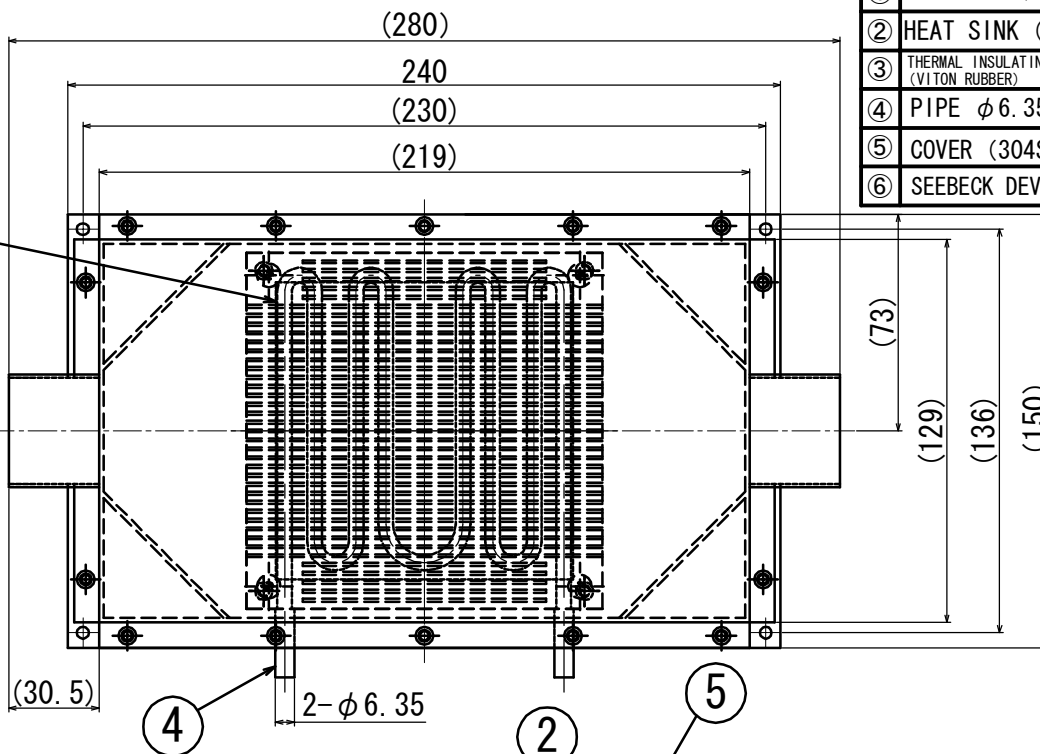


TAKAGI MFG. CO., LTD.  
**HEATING & COOLING SYSTEM**  
 MADE IN JAPAN

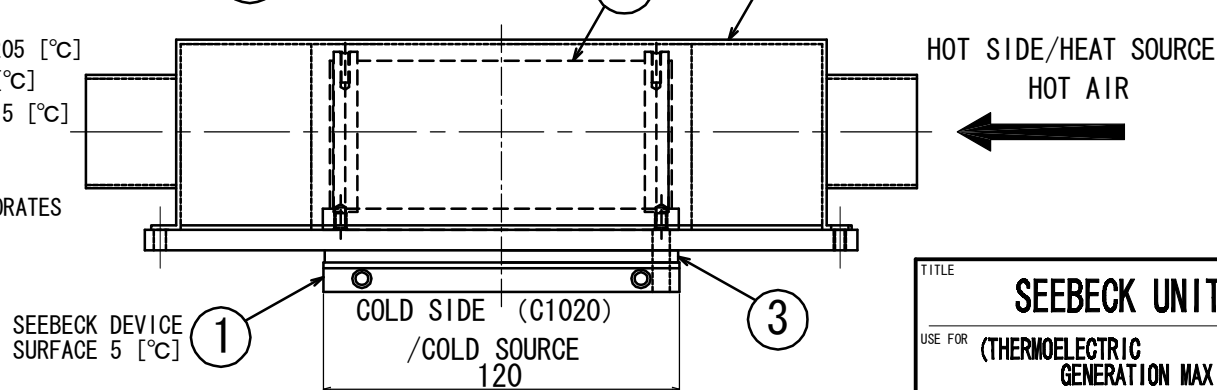


⑥ SEEBECK DEVICE  
 SURFACE 205 [°C]



①	COLD SIDE (C1020) /COLD SOURCE
②	HEAT SINK (C1020)
③	THERMAL INSULATING MATERIAL (VITON RUBBER)
④	PIPE φ6.35 (C1020)
⑤	COVER (304SS)
⑥	SEEBECK DEVICE (Bi-Te)

THERMOELECTRIC GENERATION MAX : 20 [W]  
 HOT SIDE/HEAT SOURCE [°C] : SEEBECK DEVICE SURFACE 205 [°C]  
 DO NOT EXCEED 205 [°C]  
 COLD SIDE/COLD SOURCE [°C] : SEEBECK DEVICE SURFACE 5 [°C]  
 COLD SOURCE/RECOMMENDED FLOW RATE : 2~5 [L/min]  
 (LIQUID : WATER, ETHANOL, ETHYLENE GLYCOL & WATER  
 TEMP. RANGE : -50~5 [°C], BEYOND THIS RANGE DETERIORATES  
 PERFORMANCE)  
 WEIGHT : ABOUT 5.5 [kg]  
 SCALE : NOT TO SCALE (NTS)  
 UNIT : mm  
 PROJECTION : THIRD ANGLE PROJECTION METHOD  
 DIMENSIONAL TOLERANCE : ±0.5



SEEBECK DEVICE  
 SURFACE 5 [°C]

TITLE	<b>SEEBECK UNIT</b>
USE FOR	(THERMOELECTRIC GENERATION MAX : 20 [W])
ITEM NUMBER	<b>SU-20WA</b>

DATE:2013/12/01 (JAPAN) 1. Performance data on drawings, catalogs, handling manuals, and our documentation is reference only, and is not guaranteed.  
 2. This product is designed by us. Production and copy of this product without our permission is not permitted.