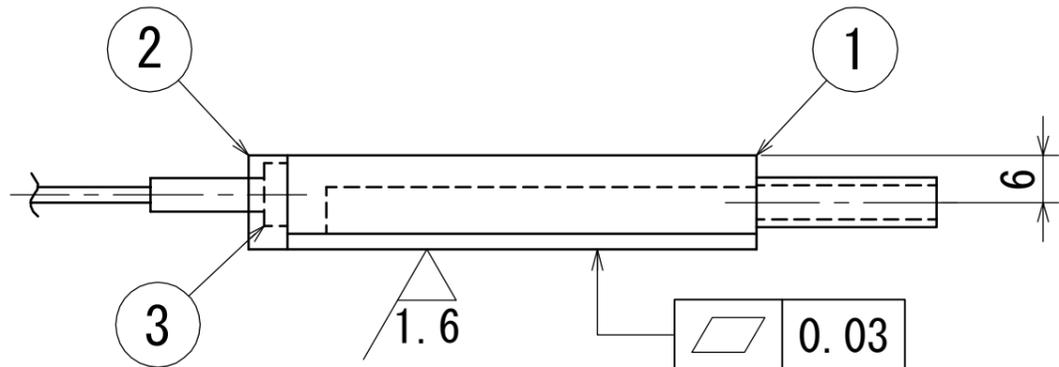
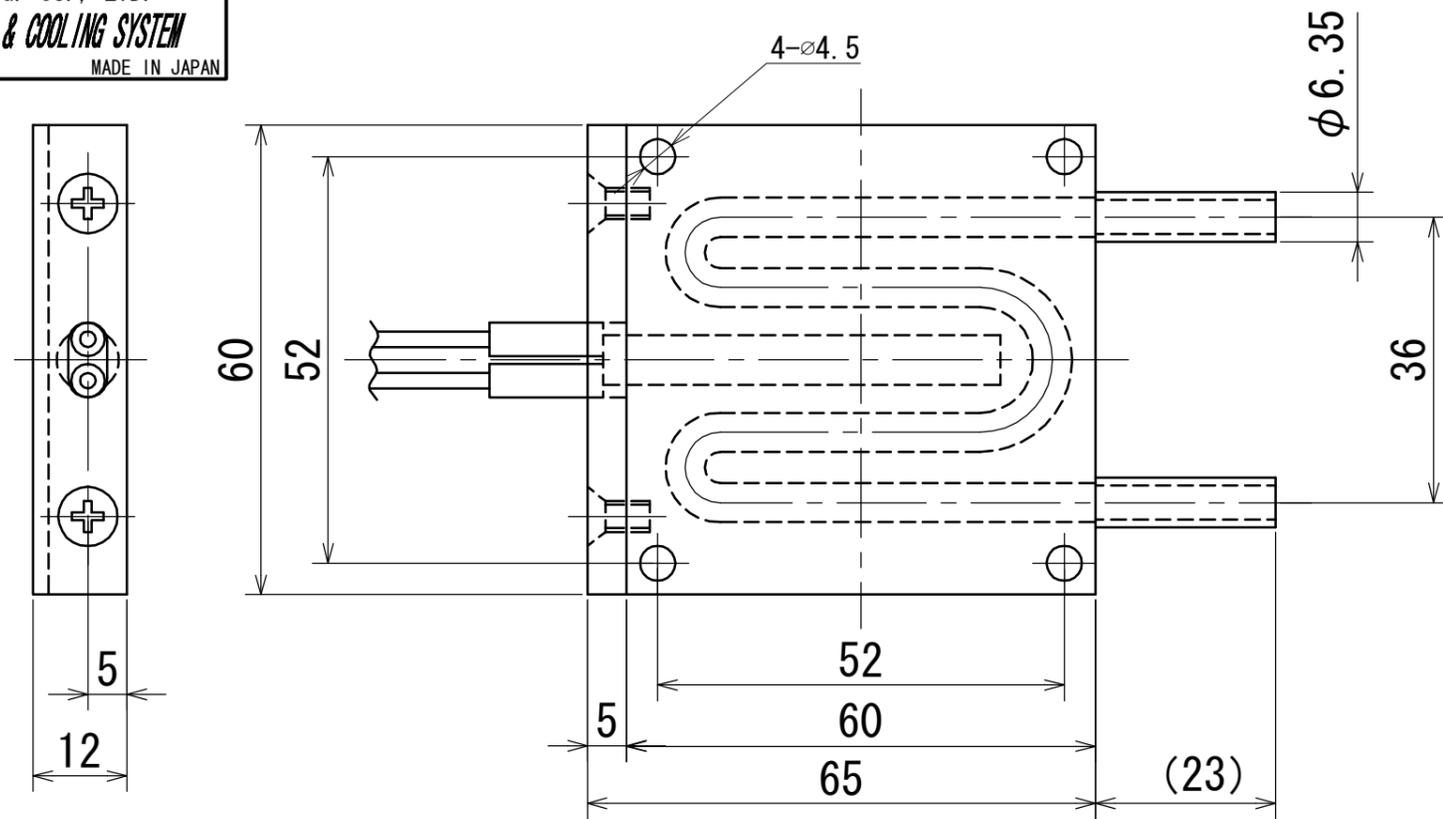


TAKAGI MFG. CO., LTD.
HEATING & COOLING SYSTEM
 MADE IN JAPAN



①	C1020
②	SUS304
③	CARTRIDGE HEATER

POWER : 200 [W]
 VOLTAGE : CHOOSE 120 OR 240 [V]
 MAXIMUM SURFACE TEMPERATURE : 500 [°C]MAX
 RECOMMENDED FLOW RATE : 2~5 [L/min]
 (LIQUID : WATER)
 WEIGHT : ABOUT 300 [g]
 SCALE : NOT TO SCALE (NTS)
 UNIT : mm
 PROJECTION : THIRD ANGLE PROJECTION METHOD
 DIMENSIONAL TOLERANCE : ±0.5

1. Performance data on drawings, catalogs, handling manuals,
 and our documentation is reference only, and is not guaranteed.
 2. This product is designed by us. Production and copy of this
 product without our permission is not permitted.

DATE: 2013/12/01 (JAPAN)

TITLE	HEATER COOLER
USE FOR	TEST EQUIPMENT, MANUFACTURING EQUIPMENT, OTHERS
ITEM NUMBER	HK-200C