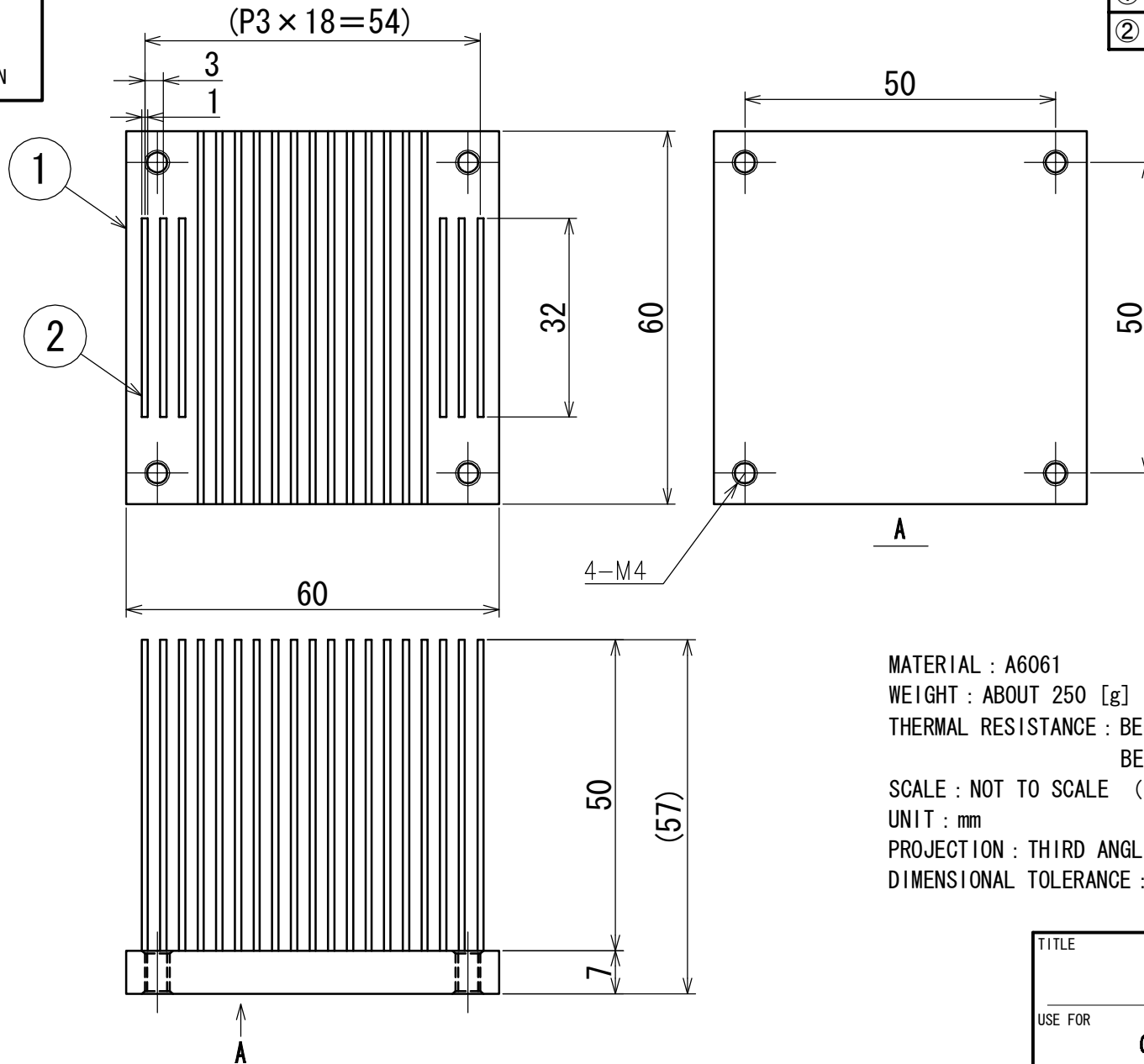


①	A6061
②	A6061



MATERIAL : A6061
 WEIGHT : ABOUT 250 [g]
 THERMAL RESISTANCE : BELOW 2.2 [$^{\circ}\text{C}/\text{W}$]
 BELOW 0.15 [$^{\circ}\text{C}/\text{W}$] (WITH DCFAN)
 SCALE : NOT TO SCALE (NTS)
 UNIT : mm
 PROJECTION : THIRD ANGLE PROJECTION METHOD
 DIMENSIONAL TOLERANCE : ± 0.5

TITLE	HEAT SINK
USE FOR	CPU, PELTIER DEVICE, OTHERS
ITEM NUMBER	A-100AL

1. Performance data on drawings, catalogs, handling manuals, and our documentation is reference only, and is not guaranteed.
2. This product is designed by us. Production and copy of this product without our permission is not permitted.